

Aziza

by Romeo Sozzi

Sofas & Armchairs / Armchairs / 1994



Aziza

by Romeo Sozzi

Sofas & Armchairs / Armchairs / 1994



Design and features

Aziza was created in 1994 by the hand of Romeo Sozzi. The armchair rests on a base made of beechwood or upholstered in non-removable fabric or leather. The seat cushion is instead removable.

Aziza is available with different customizations: with a base completely covered in fabric or leather, with a swivel base or with leather back.

Available in the same family is also the coordinated pouf.



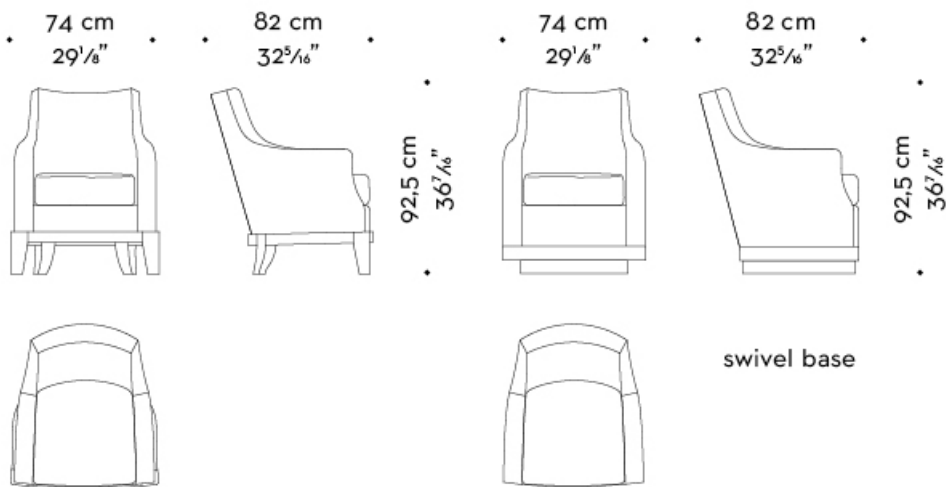
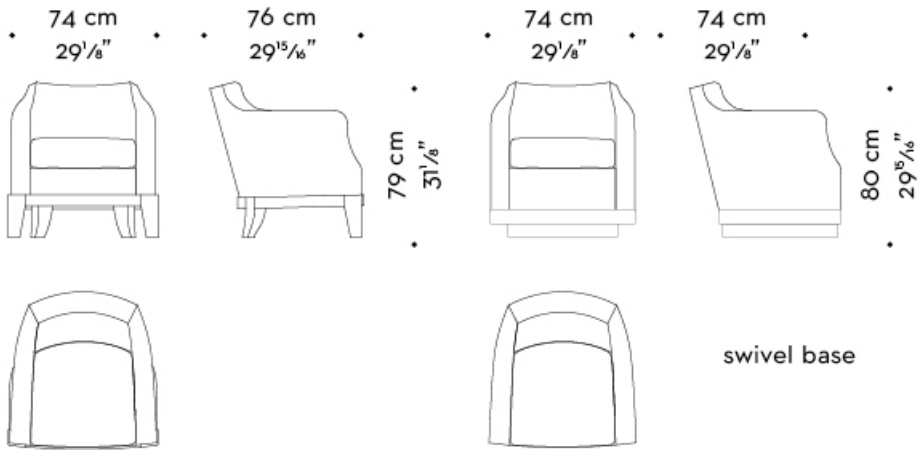
Aziza

by Romeo Sozzi

Sofas & Armchairs / Armchairs / 1994

Dimensions

AZIZA



Aziza

by Romeo Sozzi

Sofas & Armchairs / Armchairs / 1994

AZIZA large

