

# Komodo

by Romeo Sozzi

Sofas & Armchairs / Milano 2021 / 2021



# Komodo

by Romeo Sozzi

Sofas & Armchairs / Milano 2021 / 2021



## Comfort & Relax

The Komodo chaise longue, like a paradise island, is a place of escape, a bubble of peace in which to take refuge to wander to distant worlds.

The chaise longue is available with structure in natural, anthracite or antique oak, and bronze details, or completely upholstered in leather. The seat cushion, not removable, has rectangular quilting finished with a sartorial passementerie combined with the fabric chosen for the upholstery. It can be accessorized with a leather and bronze coffee table.

The Komodo chaise longue is part of a family that includes a chaise longue, footstools and a bed, all sharing the same aesthetic.



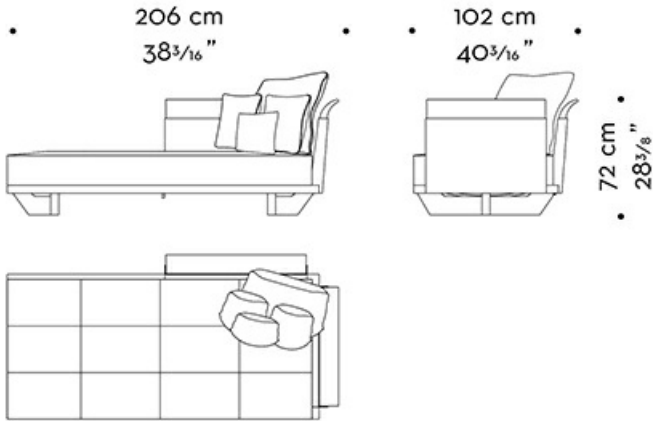
# Komodo

by Romeo Sozzi

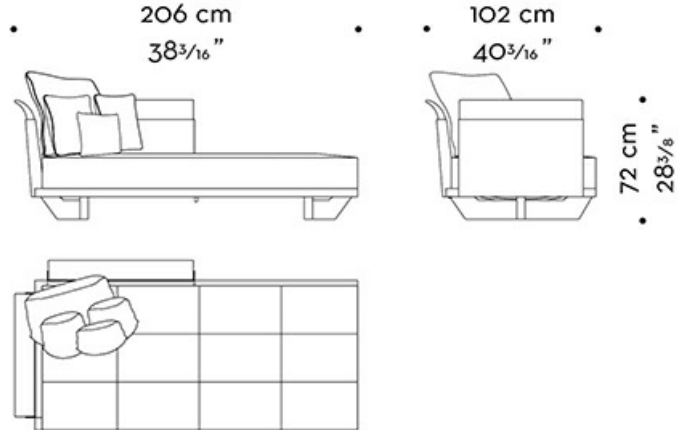
Sofas & Armchairs / Milano 2021 / 2021

## Dimensions

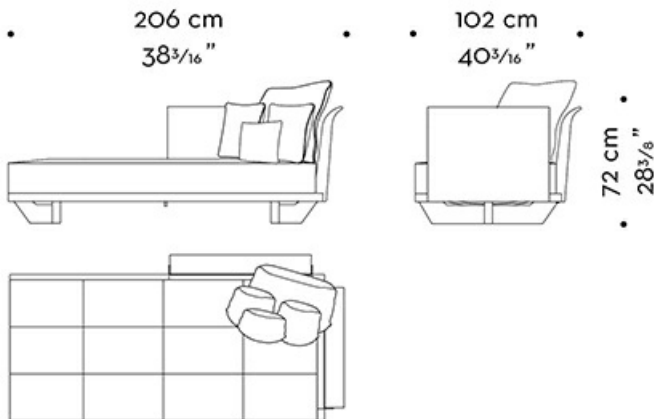
**Mod.A - chaise longue bracciolo DX**  
Mod.A - right armrest chaise longue



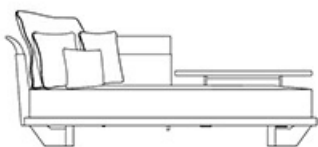
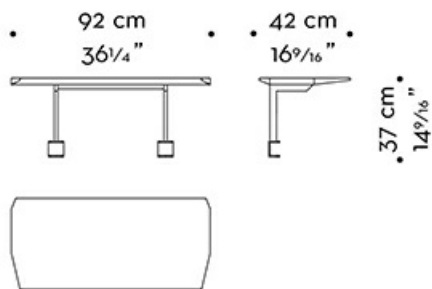
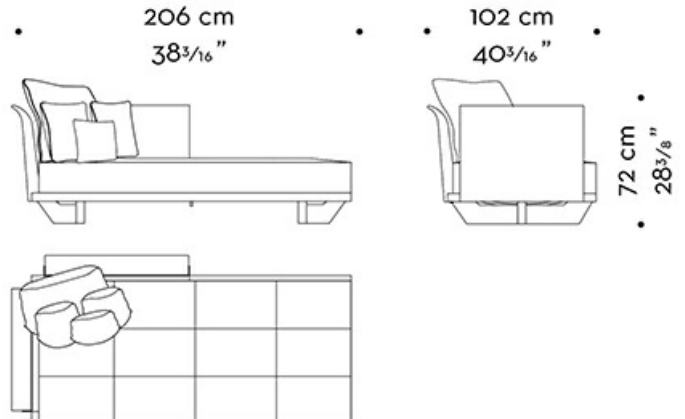
**Mod.A - chaise longue bracciolo SX**  
Mod.A - left armrest chaise longue



**Mod.B - chaise longue bracciolo DX**  
Mod.B - right armrest chaise longue



**Mod.B - chaise longue bracciolo SX**  
Mod.B - left armrest chaise longue



PROMEMORIA®