

Nightwood

by Davide Sozzi

Cabinets / Night Tales / 2016



Nightwood

by Davide Sozzi

Cabinets / Night Tales / 2016



Design and features

Nightwood is a modular bookcase designed by Davide Sozzi in 2016. Born with the "Night Tales" collection, a tribute by Promemoria to twilight atmospheres, Nightwood is an essential aesthetic bookcase, suitable for a more modern taste of the living room.

Available in various essences of wood, Nightwood features bronze spacers, fabric or leather niches with bronze profiles. It is completed by a LED lighting system.



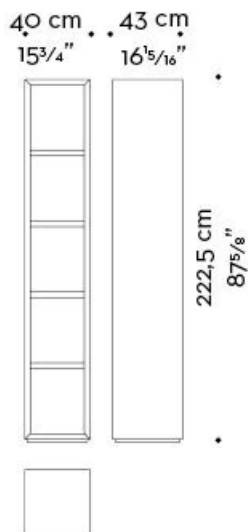
Nightwood

by Davide Sozzi

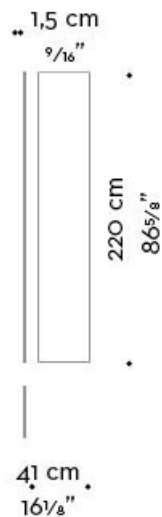
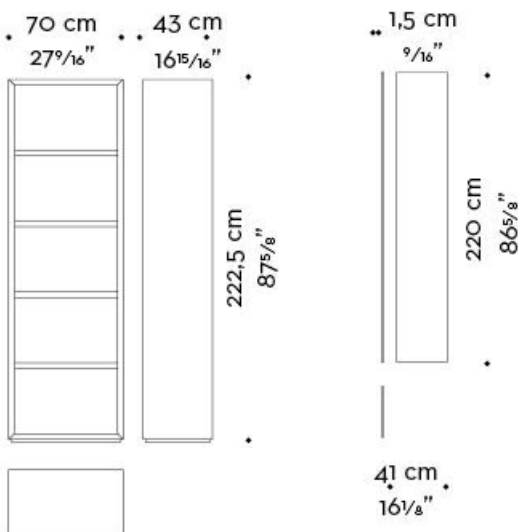
Cabinets / Night Tales / 2016

Dimensions

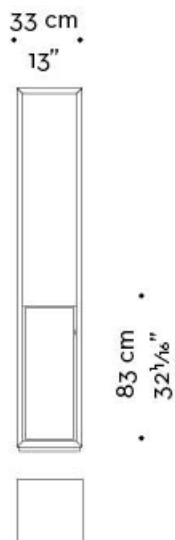
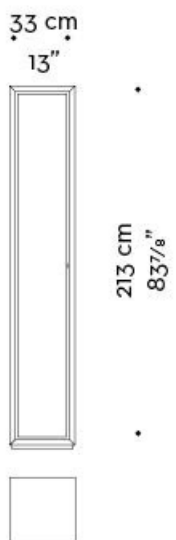
unit A-B



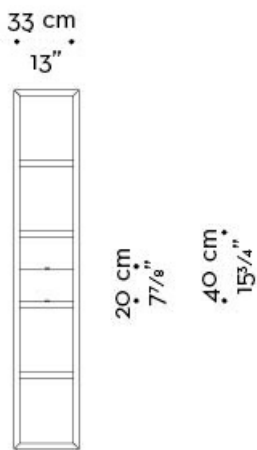
spacer



door



chest of drawers



Nightwood

by Davide Sozzi

Cabinets / Night Tales / 2016

case unit

