

Will o' Wisp

by Romeo Sozzi

Lamps / 2018



Will o' Wisp

by Romeo Sozzi

Lamps / 2018



Light and design

Will o' Wisp is a table lamp, with an essential design, compact dimensions and technological soul. The lamp has an aluminum shell, available in three colors: gold, silver and bronze. An opal polycarbonate diffuser complete the design.

Being wireless, its design is characterized by a touch button positioned on the base, able to turn on, turn off and dim the light, up to a minimum of 15% of the brightness.

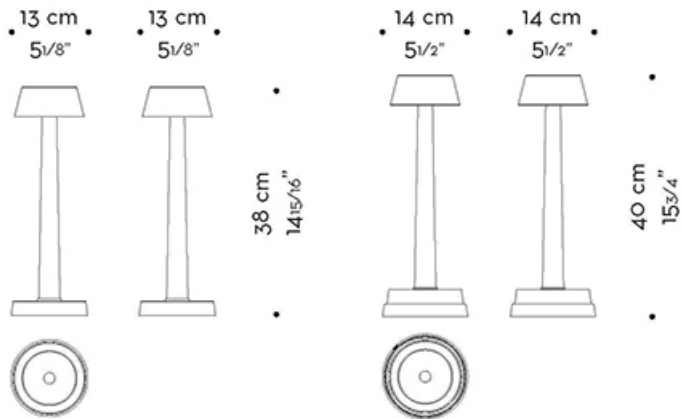


Will o' Wisp

by Romeo Sozzi

Lamps / 2018

Dimensions



Technical specifications

DESCRIPTION:

Portable table lamp with LED as light source

DESIGNER:

Romeo Sozzi - Promemoria

WEIGHT:

3,3 lbs

LIGHTING:

ICOSAEDRO LED 2,5 W, 120° light spread
correlated colour temperature: 2 700 K

COLOURS AND MATERIALS:

Painted aluminium in the colours: gold, silver and bronze.
Opal polycarbonate diffuser

ELECTRICITY SUPPLY:

50/60 Hz

RELATED POWER:

2,5 W max

FUNCTION CONTROL:

ON/OFF and dimmable via touch and Wi-Fi. It features Apple HomeKit technology for home management and Promemoria Light

CERTIFICATION:



INCLUDED IN THE BOX:

Will o' Wisp lamp; wireless charging base with power cable and plug,
instruction leaflet

